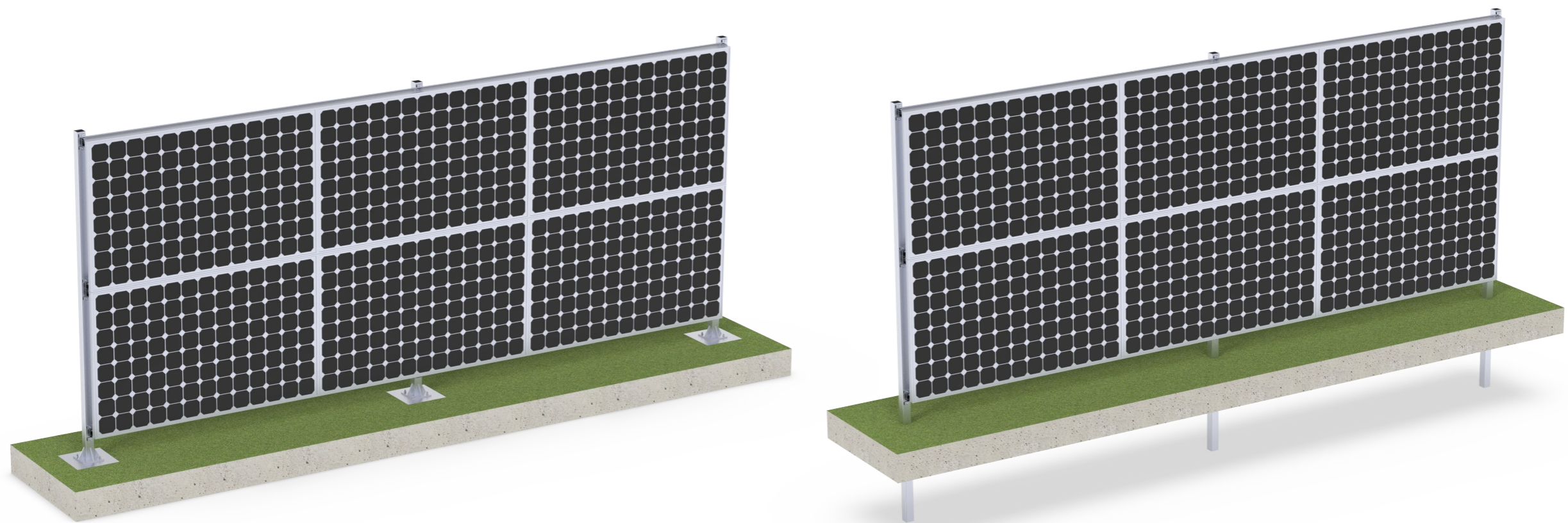


Enerack Solar Fence System

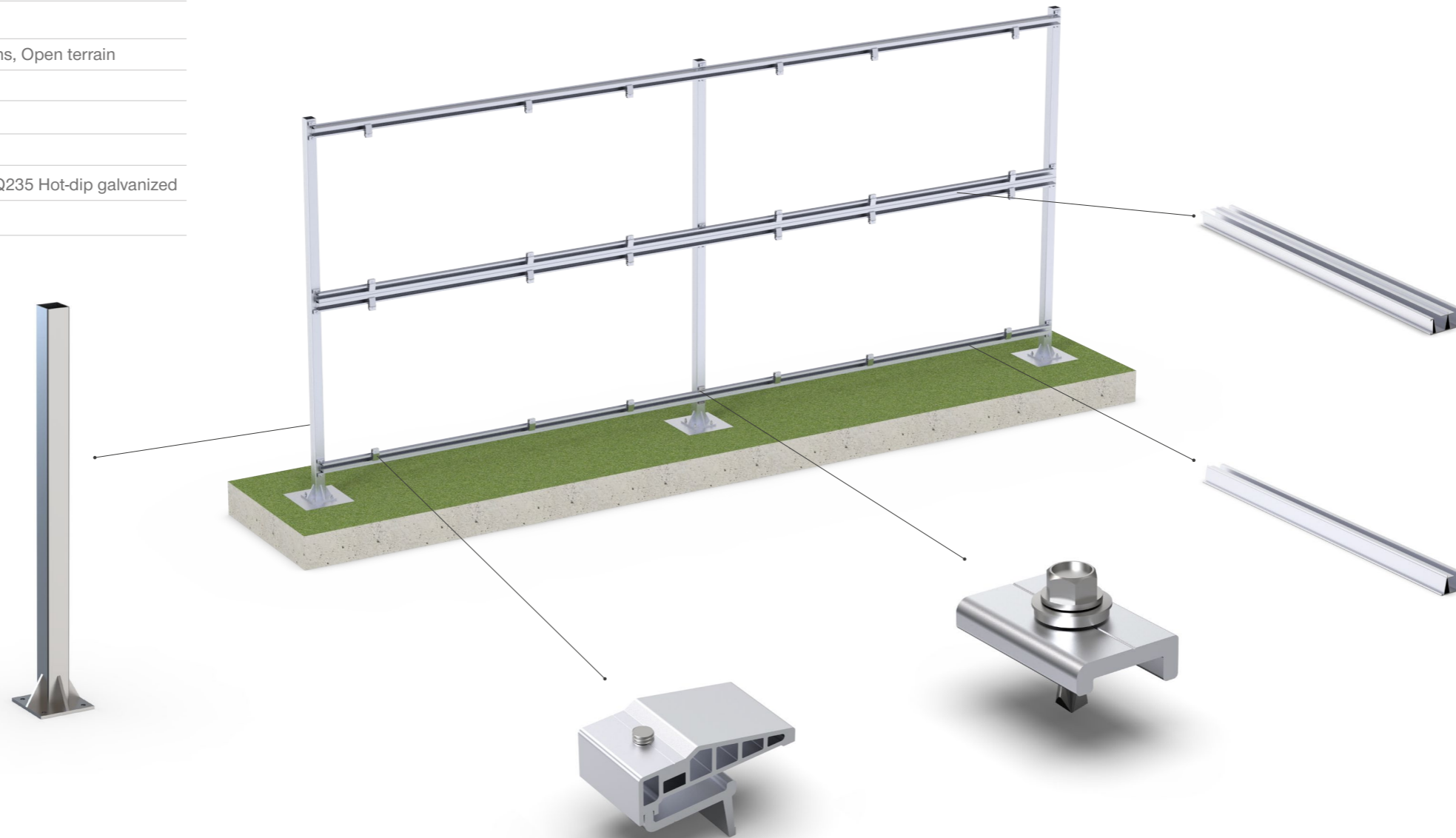


Solar Fence System

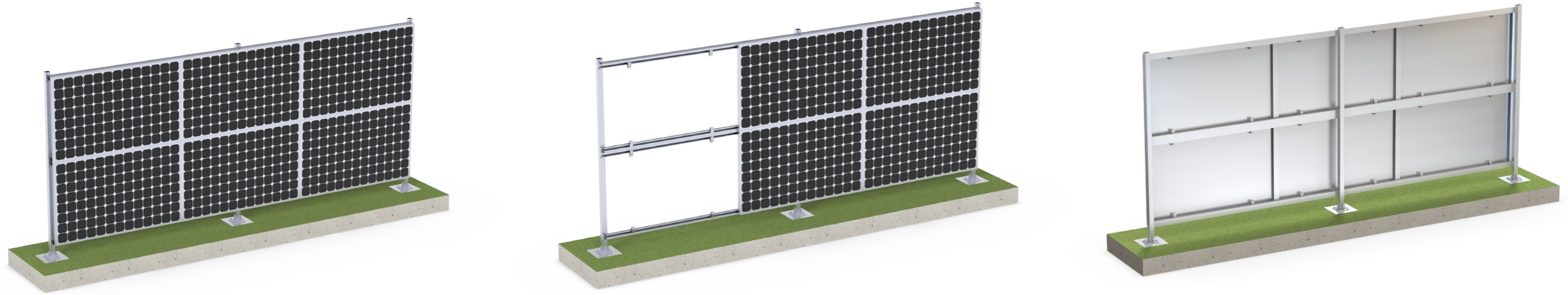
The Enerack Solar Fence System is an innovative solution in solar energy utilization and space optimization, designed to be flexible and adaptable to different installation requirements. The Solar Piling Foundation Fence Mounting System and the Solar Concrete Foundation Fence Mounting System are two installation methods that are easy to install. The column is made of hot-dip galvanized steel with a transverse aluminum rail to fix the long side of the solar panel. It is strong and durable, with good corrosion resistance and wind resistance. Its vertical modular structure can adapt to all kinds of fence forms and a variety of PV modules. By raising the height of PV panels, optimizing light reception and reducing ground shading, it can realize the utilization of three functions of land, power generation and fence, saving a lot of space and being more economical and efficient.

Technical features:

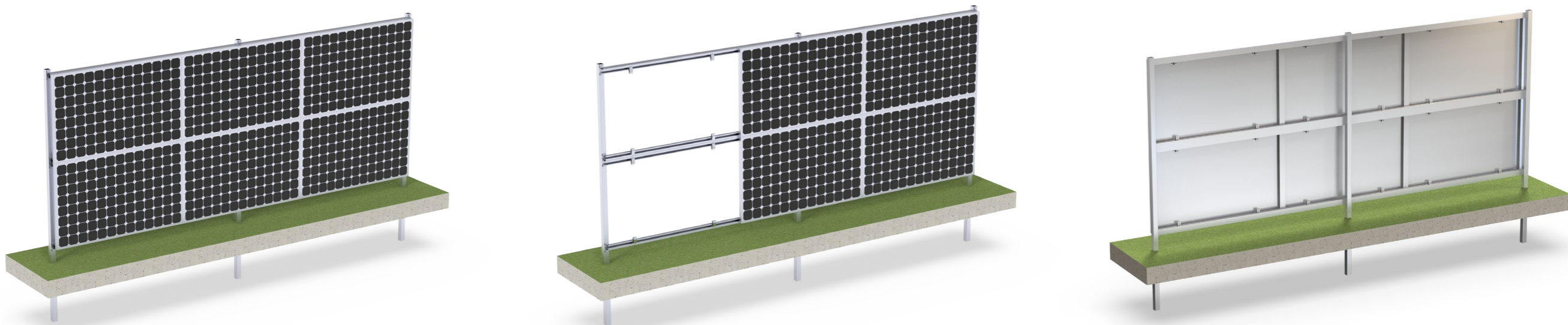
Product name	Solar Fence System
Application	Family courtyard gardens, Open terrain
Tilt	90°
System material	AL6005-T5, Q235
Fastener material	SUS 304
Finish	AL 6005-T5 Anodized, Q235 Hot-dip galvanized
Module orientation	Landscape



Solar Fence System

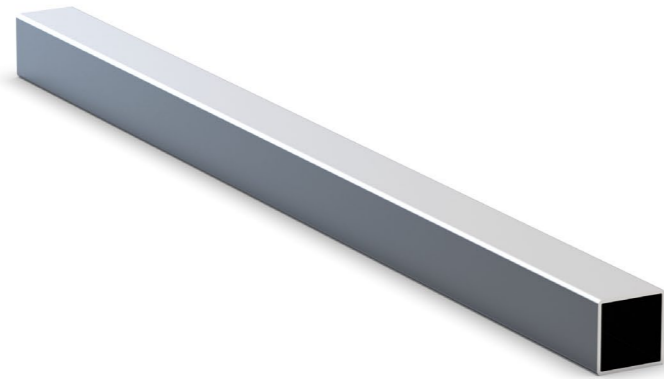


Solar Concrete Foundation Fence Mounting System

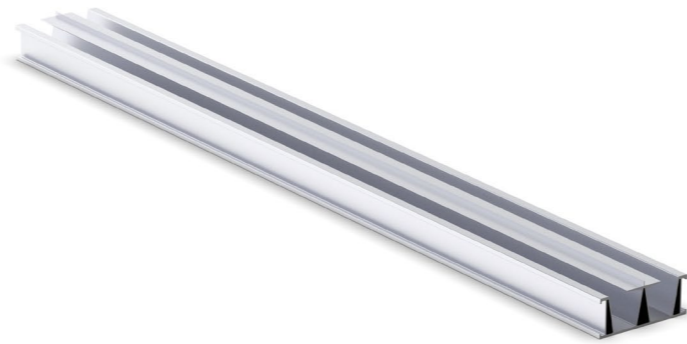


Solar Piling Foundation Fence Mounting System

Component List



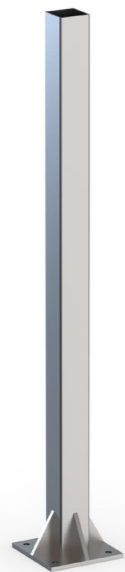
ERK-PFP (Solar Piling Foundation Fence Mounting System)



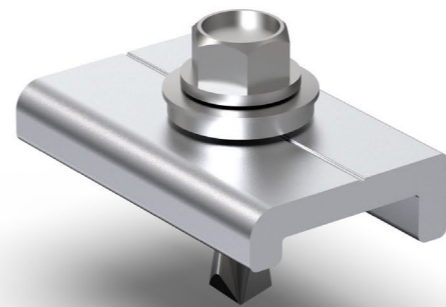
ERK-RWT



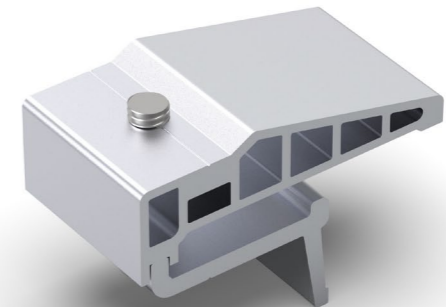
ERK-RWT-S



ERK-CFP (Solar Concrete Foundation Fence Mounting System)



ERK-FRC



ERK-PVC

Contact Details

Xiamen Enerack Technology Co., Ltd.

Tel: +86 -592-5669285

Mail: info@enerack.com

Fax: +865-92-5669235

web: www.enerack.com

Add: 203A, NO.6 Huli Avenue, Huli District, Xiamen, China

